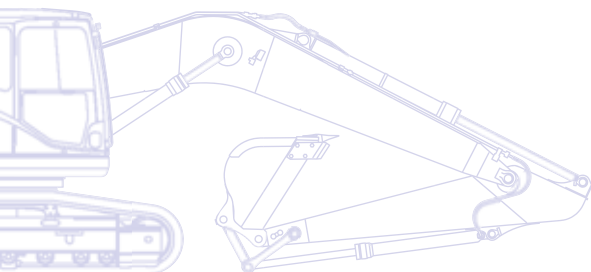


KOMATSU



Demolition Excavators

Mono Boom / Straight Boom PC210 - PC450

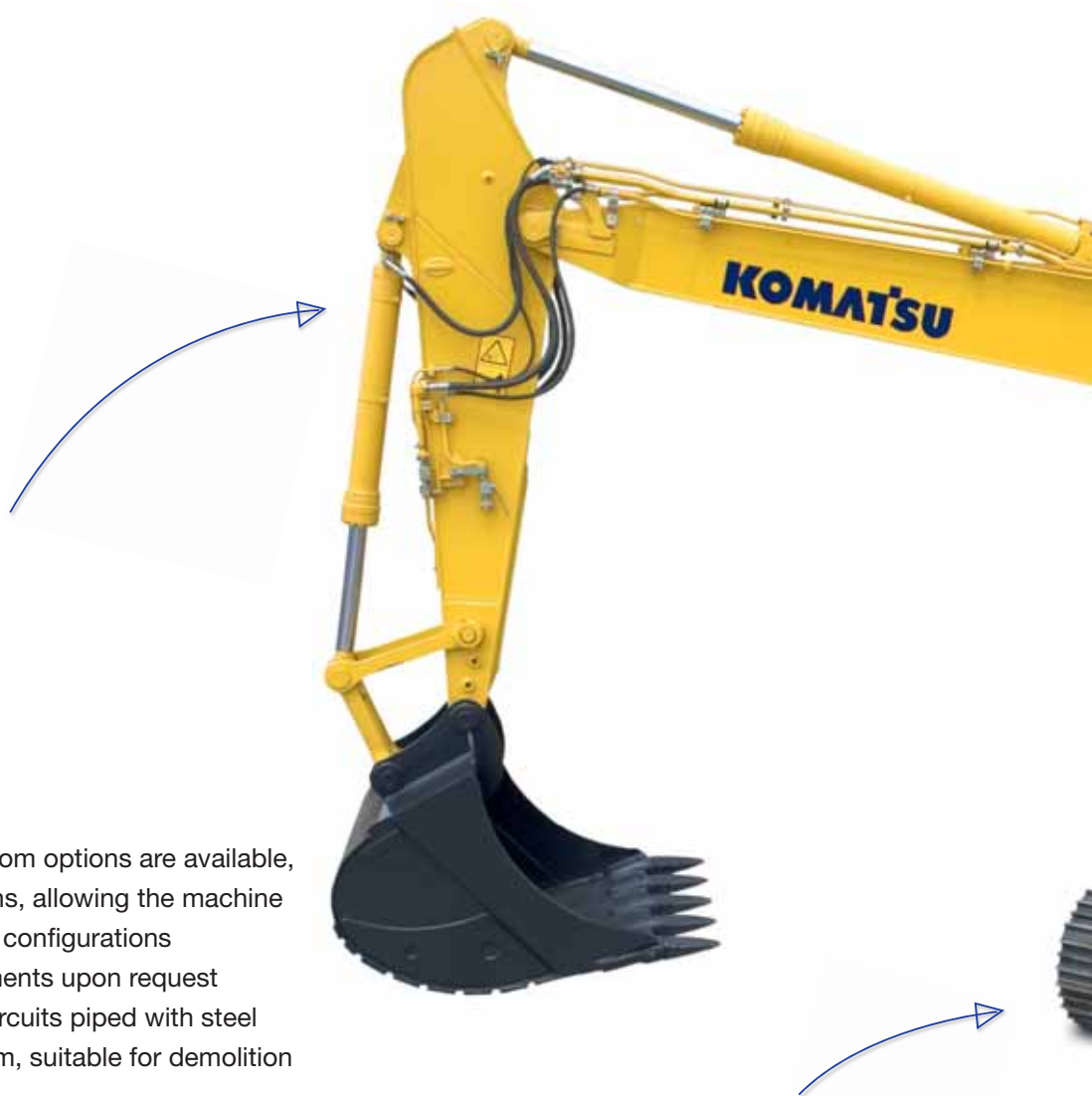


ENGINE POWER
116 kW / 156 HP - 263 kW / 353 HP

OPERATING WEIGHT
22.430 - 46.080 kg

Walk-Around

Demolition work can be a tough challenge for hydraulic excavators. Operator safety, machine flexibility, reliability and performance are paramount. Adding to the high specification of the standard Dash 8 excavators, the range of Komatsu's demolition base models are an ideal solution for excavation work on demolition sites; they offer features such as increased machine protection, enhanced operator visibility and safety and extra machine functions.



- Straight boom or mono boom options are available, with a variety of arm lengths, allowing the machine to be set for most working configurations
- Two-piece boom arrangements upon request
- Two additional hydraulic circuits piped with steel tubing to the end of the arm, suitable for demolition attachments



- Full length track roller guards (optional)

PC210-450

ENGINE POWER
116 kW/156 HP - 263 kW/353 HP

OPERATING WEIGHT
22.430 - 46.080 kg



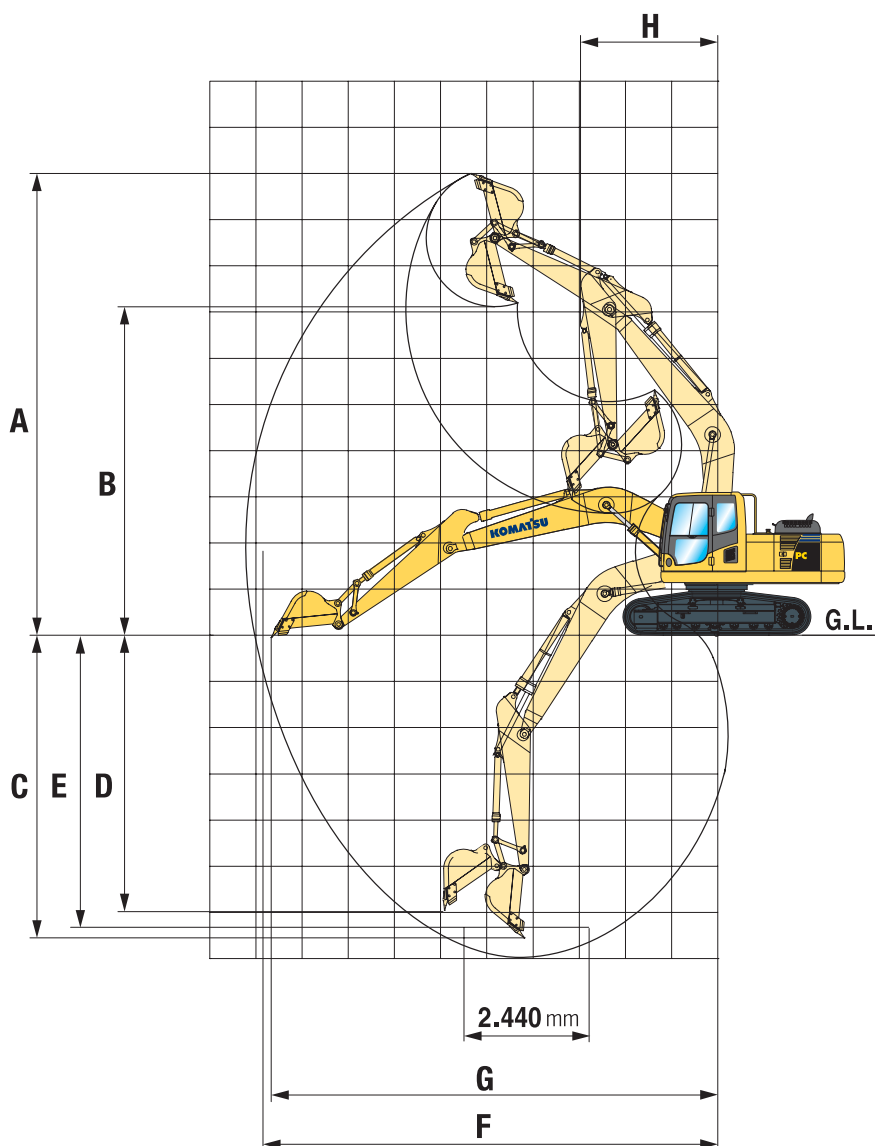
- Special Demolition Safety SpaceCab™ operator cabin
- ISO 10262 Level 2 certified FOPS (Falling Object Protection System)
- Hinged front guard to allow easy access for windscreen cleaning
- Safety glass roof window with wash wipe system
- Pressurised cabin helps to keep dust out. Climate control fitted as standard
- Joysticks with proportional control button for attachments



- Heavy duty undercovers (9 mm) fitted to the upper structure offer enhanced resistance to damage from debris on the ground
- Extra heavy duty side protection (15 mm) fitted to each side of the upper structure; bolted on, allowing easy removal for maintenance or transport
- Attachment cylinder guard (optional)
- Reinforced bucket linkage
- Boom lamp protection guard

Working Range

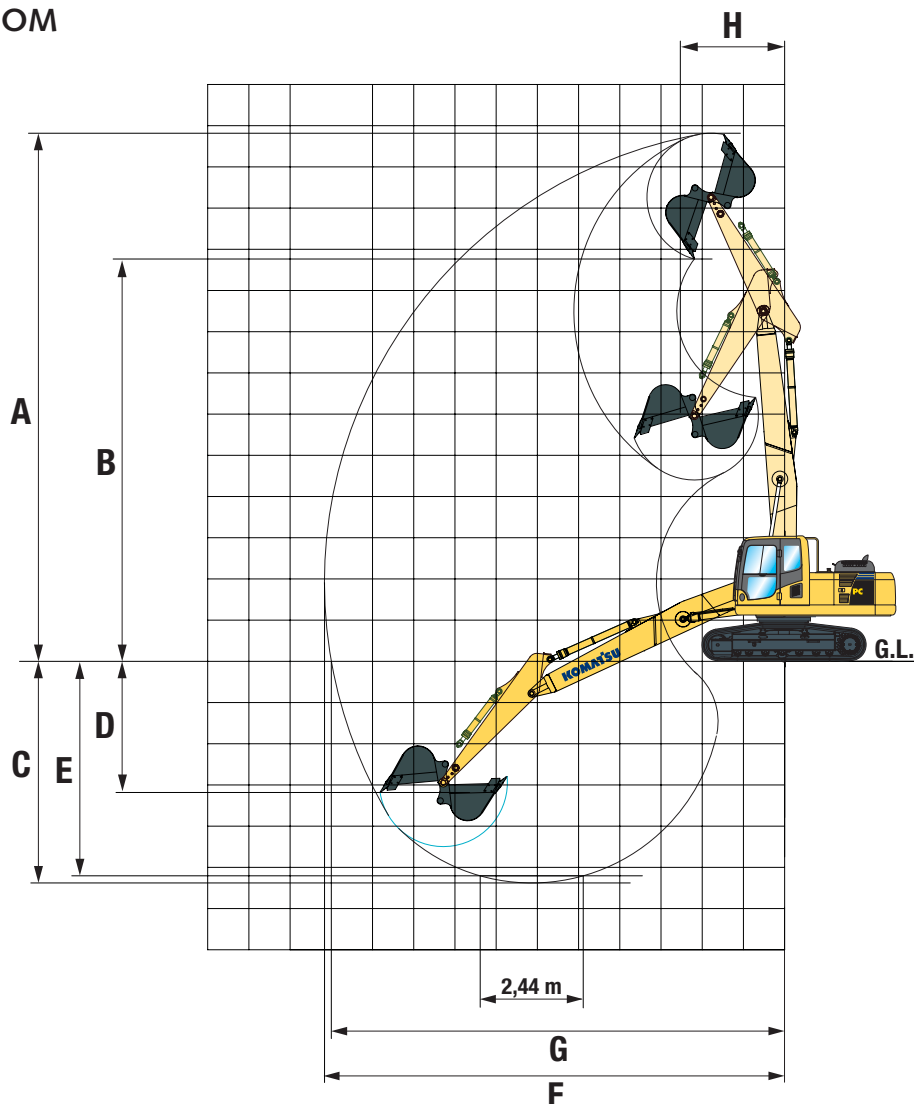
MONO BOOM



| PC210LC/NLC-8 | MONO BOOM | | STRAIGHT BOOM | | |
|---------------|--|----------|---------------|-----------|-----------|
| | Arm length | 2,4 m | 2,9 m | 2,4 m | 2,9 m |
| A | Max. digging height | 9.800 mm | 10.000 mm | 11.860 mm | 12.320 mm |
| B | Max. dumping height | 6.890 mm | 7.110 mm | 8.970 mm | 9.380 mm |
| C | Max. digging depth | 6.095 mm | 6.620 mm | 4.960 mm | 5.470 mm |
| D | Max. vertical wall digging depth | 5.430 mm | 5.980 mm | 3.060 mm | 3.440 mm |
| E | Max. digging depth of cut for 2,44 m level | 5.780 mm | 6.370 mm | 4.750 mm | 5.290 mm |
| F | Max. digging reach | 9.380 mm | 9.875 mm | 10.280 mm | 10.780 mm |
| G | Max. digging reach at ground level | 9.190 mm | 9.700 mm | 10.110 mm | 10.620 mm |
| H | Min. swing radius | 3.090 mm | 3.040 mm | 2.930 mm | 2.720 mm |

| PC240LC/NLC-8 | MONO BOOM | | STRAIGHT BOOM | | |
|---------------|--|----------|---------------|-----------|-----------|
| | Arm length | 2,5 m | 3,0 m | 2,5 m | 3,0 m |
| A | Max. digging height | 9.790 mm | 10.000 mm | 12.290 mm | 12.820 mm |
| B | Max. dumping height | 6.860 mm | 7.035 mm | 9.200 mm | 9.760 mm |
| C | Max. digging depth | 6.320 mm | 6.920 mm | 4.830 mm | 5.380 mm |
| D | Max. vertical wall digging depth | 5.130 mm | 6.010 mm | 3.030 mm | 3.180 mm |
| E | Max. digging depth of cut for 2,44 m level | 6.100 mm | 6.700 mm | 4.640 mm | 5.200 mm |
| F | Max. digging reach | 9.480 mm | 10.180 mm | 10.620 mm | 11.160 mm |
| G | Max. digging reach at ground level | 9.670 mm | 10.020 mm | 10.450 mm | 11.000 mm |
| H | Min. swing radius | 3.320 mm | 3.450 mm | 2.510 mm | 2.540 mm |

STRAIGHT BOOM

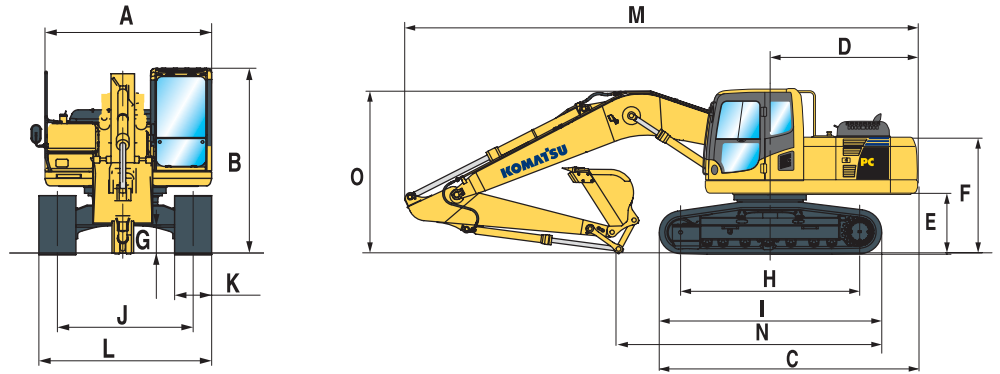


| PC290LC/NLC-8 | MONO BOOM | | | STRAIGHT BOOM | | | |
|---------------|--|-----------|-----------|---------------|-----------|-----------|-----------|
| | Arm length | 2,6 m | 3,2 m | 3,5 m | 2,6 m | 3,2 m | 3,5 m |
| A | Max. digging height | 9.920 mm | 10.315 mm | 10.355 mm | 12.240 mm | 12.750 mm | 12.965 mm |
| B | Max. dumping height | 7.030 mm | 7.365 mm | 7.435 mm | 9.160 mm | 9.700 mm | 9.890 mm |
| C | Max. digging depth | 6.330 mm | 6.920 mm | 7.220 mm | 5.105 mm | 5.655 mm | 5.955 mm |
| D | Max. vertical wall digging depth | 4.100 mm | 5.100 mm | 5.110 mm | 4.215 mm | 4.780 mm | 5.035 mm |
| E | Max. digging depth of cut for 2,44 m level | 6.150 mm | 6.760 mm | 7.070 mm | 4.925 mm | 5.495 mm | 5.805 mm |
| F | Max. digging reach | 10.110 mm | 10.645 mm | 10.890 mm | 10.740 mm | 11.290 mm | 11.565 mm |
| G | Max. digging reach at ground level | 9.915 mm | 10.465 mm | 10.715 mm | 10.560 mm | 11.120 mm | 11.400 mm |
| H | Min. swing radius | 3.570 mm | 3.680 mm | 3.740 mm | 3.135 mm | 3.055 mm | 3.135 mm |

| PC350LC/NLC-8/PC450LC-8 | MONO BOOM | | STRAIGHT BOOM | | MONO BOOM | | |
|-------------------------|--|-----------|---------------|-----------|-----------|-----------|-----------|
| | PC350LC/NLC-8 | | PC450LC | | | | |
| Arm length | 2,55 m | 3,2 m | 2,2 m | 2,55 m | 3,2 m | 2,9 m | 3,4 m |
| A | Max. digging height | 9.965 mm | 10.210 mm | 12.020 mm | 12.470 mm | 12.930 mm | 10.925 mm |
| B | Max. dumping height | 6.895 mm | 7.110 mm | 8.700 mm | 9.130 mm | 9.590 mm | 7.625 mm |
| C | Max. digging depth | 6.705 mm | 7.380 mm | 4.960 mm | 5.300 mm | 5.940 mm | 7.790 mm |
| D | Max. vertical wall digging depth | 5.880 mm | 6.480 mm | 4.310 mm | 4.660 mm | 5.280 mm | 6.600 mm |
| E | Max. digging depth of cut for 2,44 m level | 6.520 mm | 7.180 mm | 4.760 mm | 5.120 mm | 5.790 mm | 7.650 mm |
| F | Max. digging reach | 10.550 mm | 11.100 mm | 10.750 mm | 11.160 mm | 11.740 mm | 12.005 mm |
| G | Max. digging reach at ground level | 10.355 mm | 10.920 mm | 10.550 mm | 10.970 mm | 11.570 mm | 11.800 mm |
| H | Min. swing radius | 4.400 mm | 4.310 mm | 3.560 mm | 3.600 mm | 3.550 mm | 4.805 mm |

Transport Dimensions

MONO BOOM



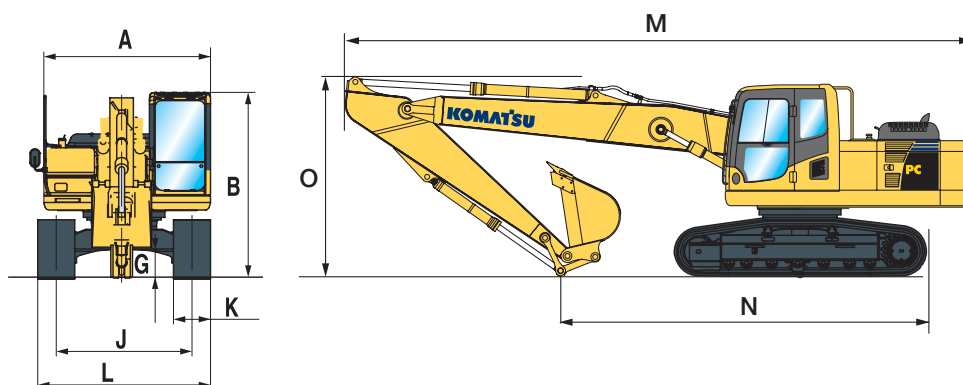
| PC210LC/NLC-8 | MONO BOOM | | STRAIGHT BOOM | |
|---|-------------|------------------|---------------|------------------|
| | PC210LC-8 | PC210NLC-8 | PC210LC-8 | PC210NLC-8 |
| A Overall width of upper structure | 2.500 mm | 2.500 mm | 2.500 mm | 2.500 mm |
| B Overall height of cab (including OPG) | 3.215 mm | 3.215 mm | 3.215 mm | 3.215 mm |
| C Overall length of basic machine | 4.810 mm | 4.810 mm | 4.810 mm | 4.810 mm |
| D Tail length | 2.770 mm | 2.770 mm | 2.770 mm | 2.770 mm |
| Tail swing radius | 2.800 mm | 2.800 mm | 2.800 mm | 2.800 mm |
| E Clearance under counterweight | 1.100 mm | 1.100 mm | 1.100 mm | 1.100 mm |
| F Machine tail height | 2.110 mm | 2.110 mm | 2.110 mm | 2.110 mm |
| G Ground clearance | 440 mm | 440 mm | 440 mm | 440 mm |
| H Tumbler centre distance | 3.655 mm | 3.655 mm | 3.655 mm | 3.655 mm |
| I Track length | 4.450 mm | 4.450 mm | 4.450 mm | 4.450 mm |
| J Track gauge | 2.380 mm | 2.040 mm | 2.380 mm | 2.040 mm |
| K Track shoe width | 600, 700 mm | 500, 600, 700 mm | 600, 700 mm | 500, 600, 700 mm |
| L Overall track width with 500 mm shoe | - | 2.540 mm | - | 2.540 mm |
| Overall track width with 600 mm shoe | 2.980 mm | 2.640 mm | 2.980 mm | 2.640 mm |
| Overall track width with 700 mm shoe | 3.080 mm | 2.740 mm | 3.080 mm | 2.740 mm |

| PC210LC/NLC-8 | MONO BOOM | | STRAIGHT BOOM | |
|-----------------------------------|--------------|--------------|---------------|--------------|
| Arm length | 2,4 m | 2,9 m | 2,4 m | 2,9 m |
| M Transport length | 9.555 mm | 9.485 mm | 10.175 mm | 10.155 mm |
| N Length on ground (transport) | 5.885 mm | 5.000 mm | 7.340 mm | 6.600 mm |
| O Overall height (to top of boom) | 3.190 mm | 2.970 mm | 2.790 mm | 2.805 mm |

| PC240LC/NLC-8 | MONO BOOM | | STRAIGHT BOOM | |
|---|-------------|-------------|---------------|-------------|
| | PC240LC-8 | PC240NLC-8 | PC240LC-8 | PC240NLC-8 |
| A Overall width of upper structure | 2.710 mm | 2.710 mm | 2.710 mm | 2.710 mm |
| B Overall height of cab (including OPG) | 3.235 mm | 3.235 mm | 3.235 mm | 3.235 mm |
| C Overall length of basic machine | 5.255 mm | 5.130 mm | 5.255 mm | 5.130 mm |
| D Tail length | 2.905 mm | 2.905 mm | 2.905 mm | 2.905 mm |
| Tail swing radius | 2.940 mm | 2.940 mm | 2.940 mm | 2.940 mm |
| E Clearance under counterweight | 1.100 mm | 1.100 mm | 1.100 mm | 1.100 mm |
| F Machine tail height | 2.405 mm | 2.405 mm | 2.405 mm | 2.405 mm |
| G Ground clearance | 440 mm | 440 mm | 440 mm | 440 mm |
| H Tumbler centre distance | 3.845 mm | 3.655 mm | 3.845 mm | 3.655 mm |
| I Track length | 4.640 mm | 4.450 mm | 4.640 mm | 4.450 mm |
| J Track gauge | 2.580 mm | 2.380 mm | 2.580 mm | 2.380 mm |
| K Track shoe width | 600, 700 mm | 600, 700 mm | 600, 700 mm | 600, 700 mm |
| L Overall track width with 600 mm shoe | 3.180 mm | 2.980 mm | 3.180 mm | 2.980 mm |
| Overall track width with 700 mm shoe | 3.280 mm | 3.080 mm | 3.380 mm | 3.080 mm |

| PC240LC/NLC-8 | MONO BOOM | | STRAIGHT BOOM | |
|--|--------------|--------------|---------------|--------------|
| Arm length | 2,5 m | 3,0 m | 2,5 m | 3,0 m |
| M Transport length | 9.960 mm | 9.885 mm | 10.650 mm | 10.615 mm |
| N Length on ground (transport) PC240LC-8 | 6.115 mm | 5.390 mm | 7.525 mm | 6.880 mm |
| Length on ground (transport) PC240NLC-8 | 6.020 mm | 5.260 mm | 7.430 mm | 6.785 mm |
| O Overall height (to top of boom) | 3.295 mm | 3.160 mm | 2.810 mm | 2.910 mm |

STRAIGHT BOOM

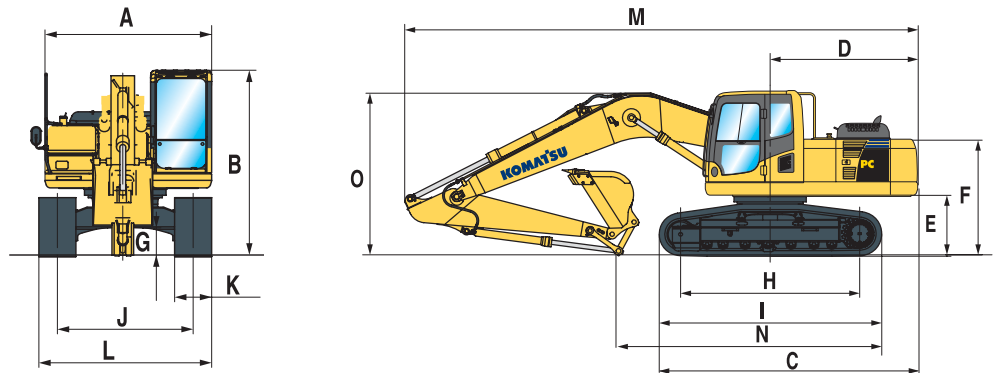


| PC290LC/NLC-8 | MONO BOOM | | STRAIGHT BOOM | |
|---|-------------|-------------|---------------|-------------|
| | PC290LC-8 | PC290NLC-8 | PC290LC-8 | PC290NLC-8 |
| A Overall width of upper structure | 2.710 mm | 2.710 mm | 2.710 mm | 2.710 mm |
| B Overall height of cab (including OPG) | 3.290 mm | 3.290 mm | 3.290 mm | 3.290 mm |
| C Overall length of basic machine | 5.380 mm | 5.380 mm | 5.380 mm | 5.380 mm |
| D Tail length | 2.905 mm | 2.905 mm | 2.905 mm | 2.905 mm |
| Tail swing radius | 2.940 mm | 2.940 mm | 2.940 mm | 2.940 mm |
| E Clearance under counterweight | 1.215 mm | 1.215 mm | 1.215 mm | 1.215 mm |
| F Machine tail height | 2.575 mm | 2.575 mm | 2.575 mm | 2.575 mm |
| G Ground clearance | 498 mm | 498 mm | 498 mm | 498 mm |
| H Tumbler centre distance | 4.030 mm | 4.030 mm | 4.030 mm | 4.030 mm |
| I Track length | 4.955 mm | 4.955 mm | 4.955 mm | 4.955 mm |
| J Track gauge | 2.590 mm | 2.390 mm | 2.590 mm | 2.390 mm |
| K Track shoe width | 600, 700 mm | 600, 700 mm | 600, 700 mm | 600, 700 mm |
| L Overall track width with 600 mm shoe | 3.190 mm | 2.990 mm | 3.190 mm | 2.990 mm |
| Overall track width with 700 mm shoe | 3.290 mm | 3.090 mm | 3.290 mm | 3.090 mm |

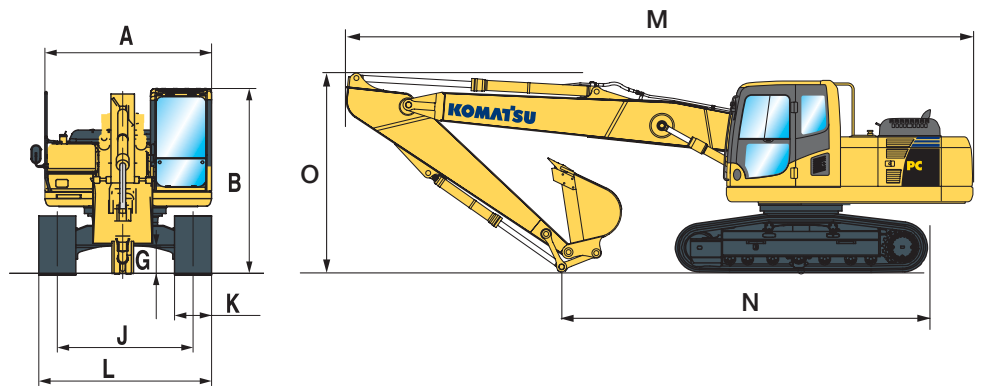
| PC290LC/NLC-8 | MONO BOOM | | | STRAIGHT BOOM | | |
|-----------------------------------|-----------|-----------|-----------|---------------|-----------|-----------|
| | 2,6 m | 3,2 m | 3,5 m | 2,6 m | 3,2 m | 3,5 m mm |
| M Transport length | 10.240 mm | 10.185 mm | 10.195 mm | 10.620 mm | 10.580 mm | 10.545 mm |
| N Length on ground (transport) | 6.425 mm | 5.625 mm | 5.350 mm | 7.240 mm | 6.550 mm | 6.445 mm |
| O Overall height (to top of boom) | 3.425 mm | 3.340 mm | 3.375 mm | 2.990 mm | 3.025 mm | 3.325 mm |

Transport Dimensions

MONO BOOM



STRAIGHT BOOM



| PC350LC/NLC-8 | MONO BOOM | | | | STRAIGHT BOOM | | | |
|--|-----------|------------|-----------|------------|---------------|------------|-----------|------------|
| | PC350LC-8 | PC350NLC-8 | PC350LC-8 | PC350NLC-8 | PC350LC-8 | PC350NLC-8 | PC350LC-8 | PC350NLC-8 |
| A Overall width of upper structure | 2.995 mm | 2.995 mm | 2.995 mm | 2.995 mm | 2.995 mm | 2.995 mm | 2.995 mm | 2.995 mm |
| B Overall height of cab (including OPG) | 3.305 mm | 3.305 mm | 3.305 mm | 3.305 mm | 3.305 mm | 3.305 mm | 3.305 mm | 3.305 mm |
| C Overall length of basic machine | 5.840 mm | 5.840 mm | 5.840 mm | 5.840 mm | 5.840 mm | 5.840 mm | 5.840 mm | 5.840 mm |
| D Tail length | 3.405 mm | 3.405 mm | 3.405 mm | 3.405 mm | 3.405 mm | 3.405 mm | 3.405 mm | 3.405 mm |
| Tail swing radius | 3.450 mm | 3.450 mm | 3.450 mm | 3.450 mm | 3.450 mm | 3.450 mm | 3.450 mm | 3.450 mm |
| E Clearance under counterweight | 1.185 mm | 1.185 mm | 1.185 mm | 1.185 mm | 1.185 mm | 1.185 mm | 1.185 mm | 1.185 mm |
| F Machine tail height (to top of engine cover) | 2.580 mm | 2.580 mm | 2.580 mm | 2.580 mm | 2.580 mm | 2.580 mm | 2.580 mm | 2.580 mm |
| G Ground clearance | 498 mm | 498 mm | 498 mm | 498 mm | 498 mm | 498 mm | 498 mm | 498 mm |
| H Tumbler centre distance | 4.030 mm | 4.030 mm | 4.030 mm | 4.030 mm | 4.030 mm | 4.030 mm | 4.030 mm | 4.030 mm |
| I Track length | 4.955 mm | 4.955 mm | 4.955 mm | 4.955 mm | 4.955 mm | 4.955 mm | 4.955 mm | 4.955 mm |
| J Track gauge | 2.590 mm | 2.390 mm | 2.590 mm | 2.590 mm | 2.590 mm | 2.390 mm | 2.590 mm | 2.390 mm |
| L Overall track width with 600 mm shoe | 3.190 mm | 2.990 mm | 3.190 mm | 3.190 mm | 3.190 mm | 2.990 mm | 3.190 mm | 2.990 mm |
| Overall track width with 700 mm shoe | 3.290 mm | 3.090 mm | 3.290 mm | 3.290 mm | 3.290 mm | 3.090 mm | 3.290 mm | 3.090 mm |

| PC350LC/NLC-8 | MONO BOOM | | | | STRAIGHT BOOM | | | |
|-----------------------------------|-----------|-----------|-----------|-----------|---------------|-----------|-----------|-----------|
| | 2,55 m | 3,2 m | 2,2 m | 2,55 m | 3,2 m | 2,2 m | 2,55 m | 3,2 m |
| M Transport length | 11.180 mm | 11.140 mm | 11.520 mm | 11.425 mm | 11.320 mm | 11.520 mm | 11.425 mm | 11.320 mm |
| N Length on ground (transport) | 6.760 mm | 5.930 mm | 8.345 mm | 7.965 mm | 7.045 mm | 8.345 mm | 7.965 mm | 7.045 mm |
| O Overall height (to top of boom) | 3.410 mm | 3.280 mm | 2.795 mm | 2.885 mm | 3.095 mm | 2.795 mm | 2.885 mm | 3.095 mm |

**PC450LC-8****MONO BOOM**

| | | PC450LC-8 |
|---|--|-------------------|
| A | Overall width of upper structure | 2.995 mm |
| B | Overall height of cab (including OPG) | 3.430 mm |
| C | Overall length of basic machine | 6.289 mm |
| D | Tail length | 3.605 mm |
| | Tail swing radius | 3.645 mm |
| E | Clearance under counterweight | 1.320 mm |
| F | Machine tail height (to top of engine cover) | 2.920 mm |
| G | Ground clearance | 685 mm |
| H | Tumbler centre distance | 4.350 mm |
| I | Track length | 5.355 mm |
| J | Track gauge | 2.890 mm |
| L | Overall track width with 600 mm shoe | 3.490 - *2.990 mm |
| | Overall track width with 700 mm shoe | 3.590 - *3.090 mm |

PC450LC-8**MONO BOOM**

| | | 2,9 m | 3,4 m |
|---|---------------------------------|--------------|--------------|
| M | Transport length | 11.995 mm | 12.040 mm |
| N | Length on ground (transport) | 7.475 mm | 6.705 mm |
| O | Overall height (to top of boom) | 3.745 mm | 3.660 mm |

* Transport dimensions (retracted)

Operating Weight (Appr.)

| PC210LC-8 | | | | | PC210NLC-8 | | | |
|----------------------|------------------|-------------------------|------------------|-------------------------|------------------|-------------------------|------------------|-------------------------|
| | Mono Boom | | Straight Boom | | Mono Boom | | Straight Boom | |
| Triple grouser shoes | Operating weight | Ground pressure | Operating weight | Ground pressure | Operating weight | Ground pressure | Operating weight | Ground pressure |
| 500 mm | | | | | 22.430 kg | 0,57 kg/cm ² | 22.540 kg | 0,57 kg/cm ² |
| 600 mm | 22.590 kg | 0,48 kg/cm ² | 22.700 kg | 0,48 kg/cm ² | 22.790 kg | 0,48 kg/cm ² | 22.900 kg | 0,48 kg/cm ² |
| 700 mm | 22.860 kg | 0,41 kg/cm ² | 22.970 kg | 0,41 kg/cm ² | 23.060 kg | 0,42 kg/cm ² | 23.170 kg | 0,42 kg/cm ² |

Operating weight, including specified work equipment, 2,9 m arm, 900 kg bucket, operator, lubricant, coolant, full fuel tank.

| PC240LC-8 | | | | | PC240NLC-8 | | | |
|----------------------|------------------|-------------------------|------------------|-------------------------|------------------|-------------------------|------------------|-------------------------|
| | Mono Boom | | Straight Boom | | Mono Boom | | Straight Boom | |
| Triple grouser shoes | Operating weight | Ground pressure | Operating weight | Ground pressure | Operating weight | Ground pressure | Operating weight | Ground pressure |
| 600 mm | 25.900 kg | 0,52 kg/cm ² | 26.120 kg | 0,52 kg/cm ² | 25.100 kg | 0,53 kg/cm ² | 25.290 kg | 0,53 kg/cm ² |
| 700 mm | 26.200 kg | 0,45 kg/cm ² | 26.420 kg | 0,46 kg/cm ² | 25.400 kg | 0,46 kg/cm ² | 25.590 kg | 0,46 kg/cm ² |

Operating weight, including specified work equipment, 3,0 m arm, 1.070 kg bucket, operator, lubricant, coolant, full fuel tank.

| PC290LC-8 | | | | | PC290NLC-8 | | | |
|----------------------|------------------|-------------------------|------------------|-------------------------|------------------|-------------------------|------------------|-------------------------|
| | Mono Boom | | Straight Boom | | Mono Boom | | Straight Boom | |
| Triple grouser shoes | Operating weight | Ground pressure | Operating weight | Ground pressure | Operating weight | Ground pressure | Operating weight | Ground pressure |
| 600 mm | 30.430 kg | 0,58 kg/cm ² | 30.600 kg | 0,58 kg/cm ² | 30.330 kg | 0,58 kg/cm ² | 30.500 kg | 0,58 kg/cm ² |
| 700 mm | 30.830 kg | 0,50 kg/cm ² | 31,000 kg | 0,51 kg/cm ² | 30.730 kg | 0,50 kg/cm ² | 30.900 kg | 0,50 kg/cm ² |

Operating weight, including specified work equipment, 2,65 m arm, 1.300 kg bucket, operator, lubricant, coolant, full fuel tank.

| PC350LC-8 | | | | | PC350NLC-8 | | | |
|----------------------|------------------|-------------------------|------------------|-------------------------|------------------|-------------------------|------------------|-------------------------|
| | Mono Boom | | Straight Boom | | Mono Boom | | Straight Boom | |
| Triple grouser shoes | Operating weight | Ground pressure | Operating weight | Ground pressure | Operating weight | Ground pressure | Operating weight | Ground pressure |
| 600 mm | 35.310 kg | 0,67 kg/cm ² | 35.440 kg | 0,68 kg/cm ² | 35.200 kg | 0,67 kg/cm ² | 35.330 kg | 0,67 kg/cm ² |
| 700 mm | 35.690 kg | 0,58 kg/cm ² | 35.820 kg | 0,59 kg/cm ² | 35.580 kg | 0,58 kg/cm ² | 35.710 kg | 0,58 kg/cm ² |

Operating weight, including specified work equipment, 2,55 m arm, 1.700 kg (NLC: 1.300 kg) bucket, operator, lubricant, coolant, full fuel tank.

| PC450LC-8 | | | |
|----------------------|------------------|-------------------------|--|
| | Mono Boom | | |
| Triple grouser shoes | Operating weight | Ground pressure | |
| 600 mm | 45.630 kg | 0,81 kg/cm ² | |
| 700 mm | 46.080 kg | 0,70 kg/cm ² | |

Operating weight, including specified work equipment, 2,9 m arm, 2.000 kg bucket, operator, lubricant, coolant, full fuel tank.

Demolition Excavators

Mono Boom / Straight Boom

Standard and Optional Equipment

ENGINE

| | |
|---|---|
| Komatsu turbocharged common rail direct injection diesel engine EU Stage IIIA compliant | ● |
| Suction type cooling fan with radiator fly screen | ● |
| Automatic engine warm-up system | ● |
| Engine overheat prevention system | ● |
| Fuel control dial | ● |
| Auto-deceleration function | ● |
| Engine key stop | ● |
| Engine ignition can be password secured on request | ● |
| Alternator | ● |
| Starter motor | ● |
| Batteries | ● |

HYDRAULIC SYSTEM

| | |
|--|---|
| Electronic closed-centre load sensing (E-CLSS) hydraulic system (HydrauMind) | ● |
| Pump and engine mutual control (PEMC) system | ● |
| Two additional hydraulic circuits, piped to the arm end, suitable for rotating crusher, shear or sorting grapple | ● |
| 5-working mode selection system; Power mode, economy mode, breaker mode, attachment mode and lifting mode | ● |
| PowerMax function | ● |
| Adjustable PPC wrist control levers for arm, boom, bucket and swing, with sliding proportional control for attachments and 3 auxiliary buttons | ● |
| Prepared for hydraulic quick-coupler | ● |

WORK EQUIPMENT

| | |
|--|---|
| Reinforced bucket linkage | ● |
| Mono boom or straight boom | ○ |
| Two-piece boom on PC210-350 upon request | ○ |
| Selection of arm lengths | ○ |
| Komatsu buckets | ○ |
| Komatsu breakers | ○ |
| Attachment cylinder guard | ○ |

CABIN

| | |
|--|---|
| Demolition Safety SpaceCab™, with ISO 10262 level 2 OPG guards (hinged front guard) and roof screen wash/wiper. Highly pressurised and tightly sealed hyper viscous mounted cab with tinted safety glass windows, large laminated glass roof window with sun shade, pull-up type front window with safety film installed, locking device, removable lower window, front window wiper with intermittent feature, sun roller blind, cigarette lighter, ashtray, luggage shelf, floor mat | ● |
| Heated air suspension seat with lumbar support, height adjustable arm rests and retractable seat belt | ● |
| Automatic climate control system | ● |
| 12 Volt power supply | ● |
| Beverage holder and magazine rack | ● |
| Hot and cool box | ● |
| Radio | ● |
| Lower wiper | ○ |

SERVICE AND MAINTENANCE

| | |
|---|---|
| Automatic fuel line de-aeration | ● |
| Double element type air cleaner with dust indicator and auto dust evacuator | ● |
| KOMTRAX™ - Komatsu satellite monitoring system | ● |
| Multi-function video compatible colour monitor with Equipment Management and Monitoring System (EMMS) and efficiency guidance | ● |
| Toolkit and spare parts for first service | ● |
| Service points | ○ |

UNDERCARRIAGE

| | |
|---|---|
| Track roller guards | ● |
| Track frame under-guards | ● |
| LC and NLC undercarriages | ○ |
| Triple grouser track-shoes, available in a wide range of widths | ○ |
| Full length track roller guards | ○ |

SAFETY EQUIPMENT

| | |
|--|---|
| Rear view camera system | ● |
| Electric horn | ● |
| Overload warning device | ● |
| Lockable fuel cap and covers | ● |
| Audible travel alarm | ● |
| Boom safety valves | ● |
| Large handrails, rear-view mirrors | ● |
| Battery main switch | ● |
| Heavy duty revolving frame undercovers (15 mm) | ● |
| Wrap-around bolted on side guards (9 mm) | ● |
| Arm safety valve | ○ |

DRIVES AND BRAKES

| | |
|---|---|
| Hydrostatic, 3-speed travel system with automatic shift and planetary gear type final drives, and hydraulic travel and parking brakes | ● |
| PPC control levers and pedals for steering and travel | ● |

LIGHTING SYSTEM

| | |
|---|---|
| Working lights: 2 revolving frame, 2 cab roof (front), 1 boom (l.h.) | ● |
| Boom lamp protection guard | ● |
| Additional working lights: 2 cab roof (front), 1 cab roof (rear), 1 boom (r.h.), 1 counterweight (rear), beacon | ○ |

OTHER EQUIPMENT

| | |
|---|---|
| Standard counterweight | ● |
| Remote greasing for swing circle and pins | ● |
| Electric refuelling pump with automatic shut off function | ● |
| Standard colour scheme and decals | ● |
| Parts book and operator manual | ● |
| Biodegradable oil for hydraulic system | ○ |
| Customised paint | ○ |

Further equipment on request

- standard equipment
- optional equipment

Your Komatsu partner:

KOMATSU

**Komatsu Europe
International NV**
Mechelsesteenweg 586
B-1800 VILVOORDE (BELGIUM)
Tel. +32-2-255 24 11
Fax +32-2-252 19 81
www.komatsu.eu

UESS10704 03/2011

Materials and specifications are subject to change without notice.
KOMATSU is a trademark of Komatsu Ltd. Japan.